



www.GRAVESPORT.com  
Tel (818) 902-1942 Fax (818) 902-3821

7629 Densmore Avenue  
Van Nuys, CA 91406

## RS030KA: Rearsets, Adjustable (Standard or Reverse Shift) Suzuki GSX-R1000 (2005)

### PARTS LIST

Please reference parts diagram



<<<< IT IS RECOMMENDED THAT THIS PRODUCT BE INSTALLED BY A QUALIFIED TECHNICIAN >>>>

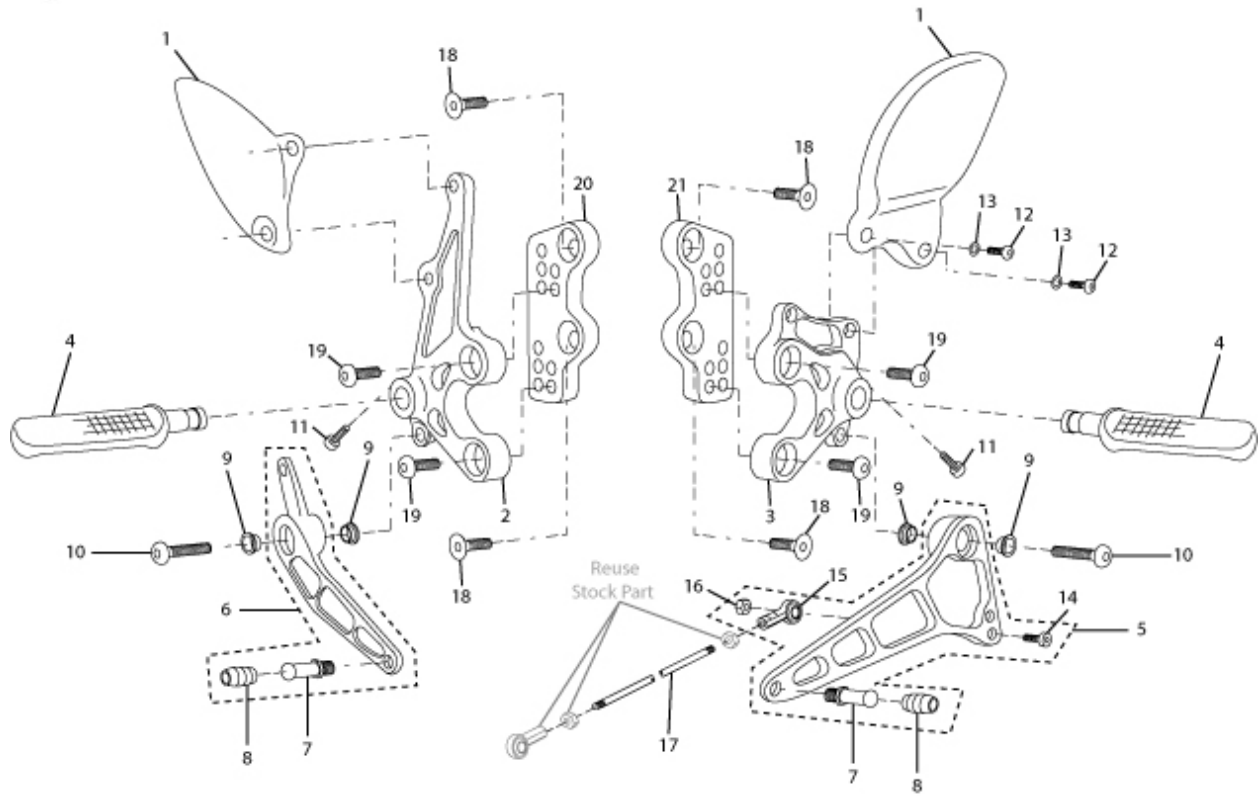
- 1) Please be sure the motorcycle is cooled down and safe to work on.
- 2) When installing the right side rear set, make sure that the rear brake line and the rear brake reservoir line are not kinked after mounting. The right side heel guard will be held in place by the rear master cylinder mounting bolts.
- 3) **REVERSE SHIFT ONLY:** Remove the stock shift knuckle and reinstall 180 degrees from original position. You will reuse the stock heim joint and both 6mm lock nuts. **\*\*If you are using Reverse Shift pattern *AND* retaining the kickstand you will need to cut off the foot tab (ref. photo) from the kickstand in order to clear the shift rod.**
- 4) **STANDARD SHIFT ONLY:** Leave shift knuckle in stock position. (Shift Knuckle shown in standard shift pattern in photo)
- 5) **Note:** After approximately one hour of riding it is necessary to re torque all bolts using blue Loctite. Pay special attention to the brake lever, shift lever, and foot peg location bolts.





[www.GRAVESPORT.com](http://www.GRAVESPORT.com)  
Tel (818) 902-1942 Fax (818) 902-3821

7629 Densmore Avenue  
Van Nuys, CA 91406



The purchaser releases Graves Motorsports, Inc from all liabilities pertaining to the installation and use of purchased parts. Purchaser recognizes that any alteration and/or modifications to the vehicle may increase the risk of injury or accident, and may also render the vehicle illegal for use on public roads.



www.GRAVESPORT.com  
Tel (818) 902-1942 Fax (818) 902-3821

7629 Densmore Avenue  
Van Nuys, CA 91406

**Item: RS030KA (Adjustable, Standard/Reverse Shift)**

Item	Part #	Description	Notes	Req
<b>Rearset Parts List</b>				
1	HG030C	Heel Guards, Carbon Fiber	sold per pair only	1
2	RB030K	Backing Plate, Right Side	brake side	1
3	LB030K	Backing Plate, Left Side	shifter side	1
4	FP007K	Footpegs, Adjustable	sold per pair only	1
5	LV011LK	Shift Lever	flip shift knuckle (located on shift shaft) for Reverse shift. Standard shift leave shift knuckle in stock position	1
6	LV007RK	Brake Pedal		1
7	LT001K	Lever Tip	sold each	2
8	OM.006	Rubber Lever Tip	sold each	2
9	OM.019	Spacer, Stainless Steel	sold each	4
10	OB.8X35BZ	Bolt, 8x35mm Button Head Zinc Coated	sold each	2
11	OB.6X20SS	Bolt, 6x20mm Socket Head Stainless Steel	sold each	2
12	OB.6X16BS	Bolt, 6x16mm Button Head Stainless Steel	sold each	2
13		Washer, 6mm	sold each	2
14	OB.6X25SS	Bolt, 6x25mm Socket Head Stainless Steel		1
15	OM.003	Heim Joint, Female Reverse Thread		1
16	ON.6RHL	Nut, 6mm Nylock Standard Thread		1
17	SR160	Shift Rod, 160mm Standard/Reverse Thread		1
18	OB.8X22FZ	Bolt, 8x22mm Counter Sunk Zinc Coated	sold each	4
19	OB.8X16BZ	Bolt, 8x16mm Button Head Zinc Coated	sold each	4
20	RA030K	Adjuster Plate, Right Side	brake side	1
21	LA030K	Adjuster Plate, Left Side	shifter side	1